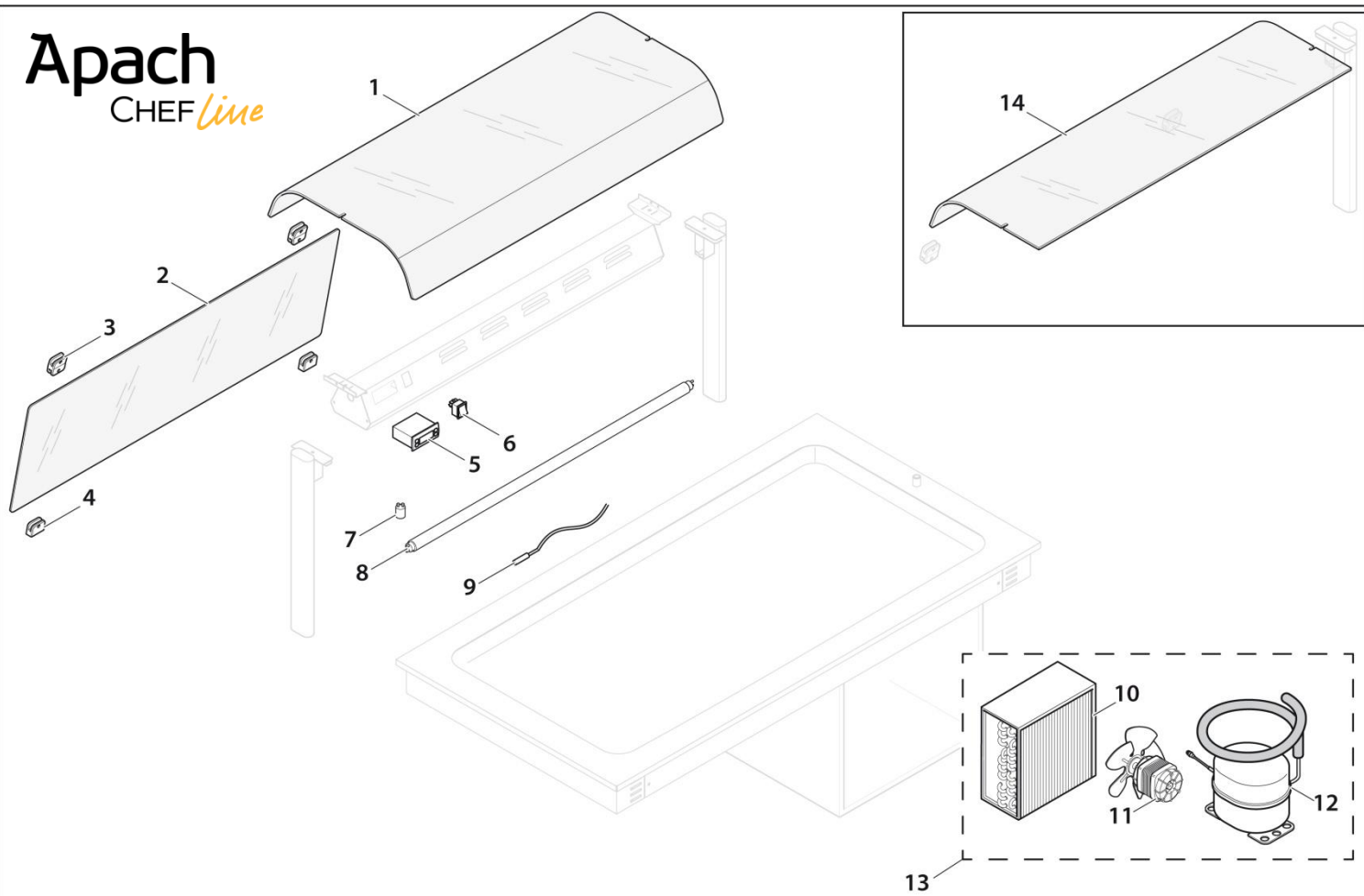


Apach

CHEF *Line*



cod. 1250170

RICAMBI / SPARE PARTS / ERSATZTEILE / PIÈCES DÉTACHÉES

Apach <small>CHEF <i>line</i></small>		MODELLO / MODEL / MODELL / MODÈLE <small>DROP-IN PIANO REFRIGERATO / REFRIGERATED STATIC TOP PLATE / KÜHLPLATTE STATISCHE KÜHLUNG / PLAN RÉFRIGÉRÉ STATIQUE</small>	TAVOLA / TABLE 1250170	
		DESCRIZIONE / DESCRIPTION BESCHREIBUNG / DESCRIPTION	From S/N:	To S/N: xxxxxxxxxx
N°	CODICE / CODE		REF. / NOTE	
1	TS03810	Vetro / Glass / Glas / Verre		a
1	TS03820	Vetro / Glass / Glas / Verre		b
1	TS03830	Vetro / Glass / Glas / Verre		c
1	TS03840	Vetro / Glass / Glas / Verre		d
2	TS20600	Vetro / Glass / Glas / Verre		a
2	TS20610	Vetro / Glass / Glas / Verre		b
2	TS20620	Vetro / Glass / Glas / Verre		c
2	TS20630	Vetro / Glass / Glas / Verre		d
3	TS21380	Blocchetto / Cube / Block / Bloc		
4	TS21370	Blocchetto / Cube / Block / Bloc		
5	TS21060	termoregolatore /thermostat / Thermostat / thermorégulateur		
6	568700200	Interruttore / Switch / Schalter / Interrupteur		
7	TS03690	Starter (4-80W)		
8	TS03700	Lampada / Lighting / Licht / Lumiere (14W)		a
8	TS03710	Lampada / Lighting / Licht / Lumiere (18W)		b
8	TS03720	Lampada / Lighting / Licht / Lumiere (30W)		c
8	TS03730	Lampada / Lighting / Licht / Lumiere (36W)		d
9	26430010	Sonda / Probe / Sonde / Sondes NTC		
12	9450030	compressore/ compressor / Kompressor /compresseur EMT6144GK		a-b
12	9450130	compressore/ compressor / Kompressor /compresseur EMT2125GK		c-d
13	TS20080	unità condensante / condensing unit / Verdampfer / unité de condensation		a-b
13	TS20090	unità condensante / condensing unit / Verdampfer / unité de condensation		c-d
14	TS20550	Vetro / Glass / Glas / Verre		a
14	TS20560	Vetro / Glass / Glas / Verre		b
14	TS20570	Vetro / Glass / Glas / Verre		c
14	TS20580	Vetro / Glass / Glas / Verre		d